

scalamobil[®]*iQ*

Gebrauchsanweisung

scalamobil S30/scalacombi S31

Operating Instructions for the
scalamobil S30/scalacombi S31

Instructions d'utilisation du
scalamobil S30/scalacombi S31

Instrucciones de manejo del
scalamobil S30/scalacombi S31

Istruzioni per l'uso del
scalamobil S30/scalacombi S31

Instruktionsbok

scalamobil S30/scalacombi S31

D

US/GB

F

ES

I

S

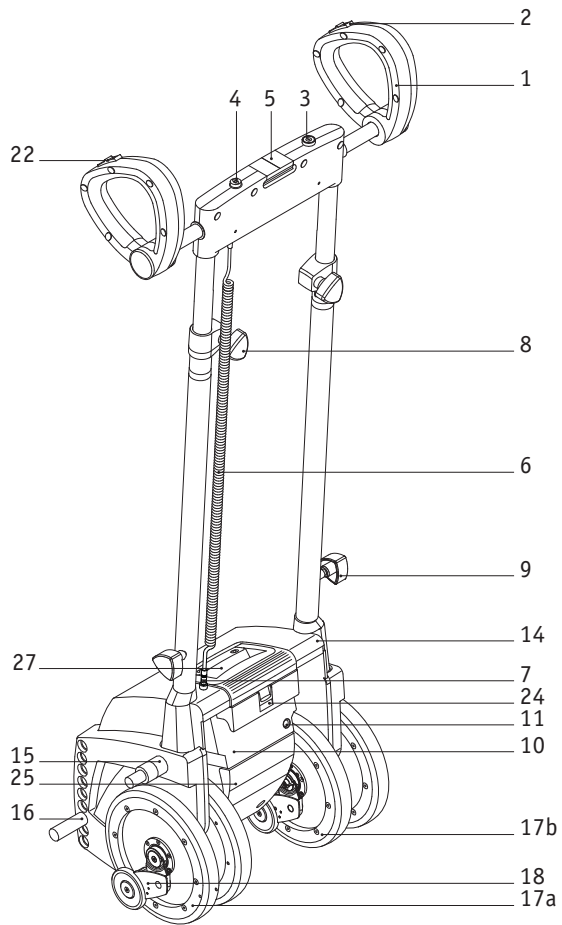
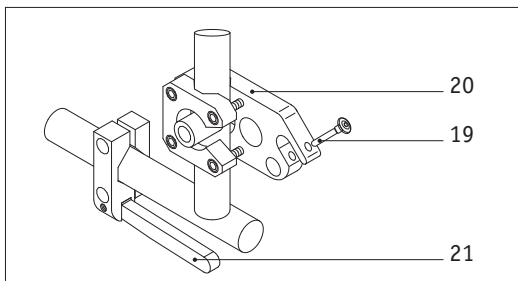
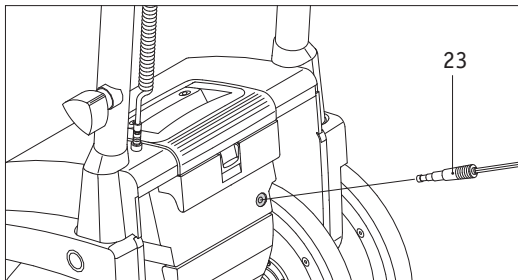
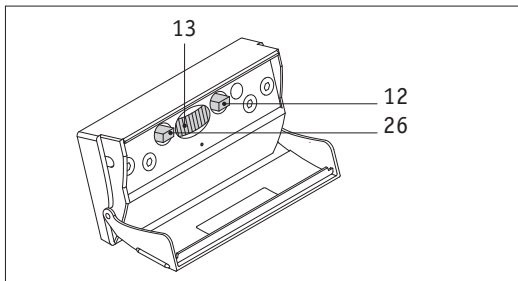


Table of Contents

1	Introduction				
1.1	Standard delivery schedule	6			
1.2	Technical data	8			
2	Control Components				
2.1	On/Off button	9			
2.2	Direction of travel switch	10			
2.3	Horizontal axle	11			
2.4	Driving switch	12			
2.5	Battery	13			
2.6	Control compartment	15			
3	Initial Operation				
3.1	Safety of the wheelchair occupant	17			
3.2	Safety instructions	18			
3.3	Performance check before operation	19			
3.4	Mounting to the wheelchair	21			
3.5	Height adjustment	23			
3.6	Removal from the wheelchair	24			
3.7	Removing the handlebars	26			
3.8	Mounting the handlebars	27			
3.9	Carrying handle	27			
4	Operation				
4.1	General instructions	28			
4.2	Upstairs	29			
4.3	Downstairs	31			
4.4	Single step switch	33			
4.5	Special feature soft step	34			
4.6	Operation on winding stairs	34			
4.7	Operating feature for scalacombi	36			
5	Care and Maintenance				
5.1	Information on the battery	37			
5.2	Care	39			
5.3	Maintenance	40			
6	Quick help in case of faults				
					41
7	Warranty and liability				
7.1	Warranty	43			
7.2	Liability	43			
8	Disposal/recycling				
					44
9	Intended use				
					44
10	Index				
					46

Congratulations,

with the acquisition of the scalamobil or the scalacombi, you have chosen a powerful, dependable and multifunctional stair-climbing device of superior technology. With the help of the highly flexible scalamobil you will experience an entirely new dimension of mobility. In this respect you will have great pleasure with the scalamobil, and, appropriately operated, it will soon prove indispensable to you.

Please read the user's manual carefully to get to know the scalamobil and its variety of functions. Some steps of operation may look complicated at first, but you will see that after a free of charge training session by your **alber**-representative the operation will turn out to be effortless and easy.

Your **alber**-representative is going to walk you through each step of operation and will answer all further questions that may arise. In addition, the **alber** representatives will be happy to help you with any problems you might have.

The **alber**-team wishes you a lot of fun with the scalamobil.

Please note the following safety instructions!

In the interest of your safety, the scalamobil may only be used by people who:

- have been trained to use the scalamobil appropriately,
- are capable of climbing stairs backwards,
- are capable of lifting at least 20 % of their own weight
- are in good physical shape and psychologically stable.

The training session on how to operate the scalamobil properly is part of the delivery package and free of charge. It is done at your convenience by your **alber**-representative.

The efficiency of the scalamobil may be affected by electromagnetic fields. The following information about electromagnetic fields should help prevent these efficiency problems with your scalamobil/scalacombi.

Electrical systems may be susceptible to electromagnetic interference (EMI), which is interfering electromagnetic energy (EM) emitted from sources such as radio stations, TV stations, amateur radio (HAM) transmitters, two-way

radios, and cellular phones. The interference (from radio wave sources) can cause the system to release its brakes, move by itself, or move in unintended directions. It can also permanently damage the system's control center. The intensity of the interfering EM energy can be measured in volts per meter (V/m). Each system can resist EMI up to certain intensities. This is called its "immunity level". 20 Volts per meter (V/m) is a generally achievable and useful immunity level against interference from radio wave sources. The immunity level of **alber** products is 20 V/m.

Caution: It is very important that you read this information regarding the possible effects of electromagnetic interference on your system. Because EMI energy rapidly becomes more intense as you move closer to the transmitting antenna (source), the EM fields from hand-held radio wave sources (transceivers) are often of special concern. It is possible to unintentionally bring high levels of EM energy very close to the electrical system's control system while using these devices. This can affect system movement and braking. Therefore, following these warnings is recommended to prevent possible interference with the control center of the system.

The electrical systems of **alber** conform to the corresponding requirements of the EG-directive 93/42/EWG for medical devices. Nevertheless, interferences from high frequency

rays or other electronic devices cannot generally be ruled out. High frequency radiation exists in the proximity of such things as radar and broadcasting stations, all types of radio sets, and cellular phones.

Never drive the electrical system in the proximity of electronic medical equipment with a high danger potential and/or life-supporting function or in the proximity of diagnostic equipment.

Radio wave sources, such as radio stations, TV stations, amateur radio (HAM) transmitters, two-way radios, and cellular phones may also affect electrical systems.

Following the warnings listed below should reduce the chance of unintended brake release or system movement which could result in serious injury.

DO NOT turn ON hand-held portable transceivers (transmitters-receivers) with the antenna mounted directly on the transmitting unit. Examples include: citizens band (CB) radios, "walkie-talkie" radios, security fire and police transmitters, cellular telephones, and other powered communication devices while the system is turned on.

Note: Some cellular telephones and similar devices transmit signals while they are ON, even when they are not being used.

Be aware of medium range mobile transceivers such as those used in police cars, fire trucks, ambulances, and taxis. These usually have the antenna mounted on the outside of the vehicle. Try to avoid coming close to them.

Try to avoid coming close to long-range transmitters and transceivers such as commercial broadcast transmitters (radio and TV broadcast antenna towers) and amateur (HAM) radios.

Note: Other types of hand-held devices, such as cordless phones, laptop computers, AM/FM radios, TV sets, CD players, cassette players, and small appliances such as electric shavers and blow dryers, so far as we know, are not likely to cause EMI problems to your system. If unintended movement or brake release occurs, turn the system OFF as soon as it is safe.

Be aware of adding accessories or components, or modifying the system. This may make it more susceptible to interference from radio wave sources. Note: There is no easy way to evaluate the effect of these additional accessories or components on the overall immunity of the system.

Report all incidents of unintended movement or brake release to the system manufacturer and note whether there is a radio wave source nearby.

If the wheelchair with the scalamobil is subsequently equipped with an e-fix or viamobil system, it must be noted that the driving properties of the scalamobil may be altered radically due to the potentially changed center of mass when climbing stairs.

The scalamobil can also affect other equipment such as theft-proof cabinets in departmental stores.



Do not use the scalamobil before you have participated in the training session.

1.1

Delivery Package

- standard **scalamobil S30 IQ**
- **alber**-charger BC 24005LA
- Operating instructions
- upper bolt
- lower bolt

It is standard that the upper bolt [15] and the lower bolt [16] are attached to the scalamobil and already adjusted to the wheelchair by **alber**.

Optional Accessories:

- X7-scalaport
- X3-scala-chair
- headrest
- anti tippers
- safety belt
- spare batteries
- wheel transport bracket



Your wheelchair must be equipped with special brackets to attach the scalamobil. If this is not the case, please contact your dealer or one of the alber-representatives.

Essential Parts

(Please open out the overview diagram in the front cover)

- 1 Gripping loop
- 2 Driving switch
- 3 On/Off button
- 4 Display element
- 5 Lock for the horizontal axle
- 6 Helix cable plus plug
- 7 Plug
- 8 Adjustment knobs for the height of the handlebars
- 9 Fastening screws for the handlebars
- 10 Electronic unit
- 11 Connecting socket for the charger
- 12 Single step switch
- 13 Rotation regulator
- 14 Housing
- 15 Upper bolts
- 16 Lower bolts
- 17a Outer wheels
- 17b Inner wheels
- 18 Brakes
- 19 Locking pin
- 20 Upper holding device
- 21 Lower holding device
- 22 Direction of travel switch
- 23 Charger plug
- 24 Battery housing locking mechanism
- 25 Control compartment cover
- 26 Driving program selection switch
- 27 Carrying handle

1.2

Technical Data

scalamobil S30

Height of the power unit:	445 mm (with the clamping device)
Height of the power unit:	360 mm (without the clamping device)
Width of the power unit:	375 mm
Total height, stowed handlebars:	1140 mm
Total width:	480 mm
Weight with batteries:	24,5 kg
Weight without batteries:	21,8 kg
Weight without handlebars:	19,3 kg
Maximum weight of passenger:	120 kg
Voltage:	24 V
Climbing speed:	adjustable, 6-19 steps/minute
Capacity with a fully charged battery:	up to 300 steps
Minimum step depth:	110 mm
Maximum step height:	200 mm

Technical data – battery

Type of battery:	Sealed lead gel battery
Battery capacity:	3,3 Ah
Battery dimensions:	134 x 67 x 61 mm
Maximum current:	15 A

Technical data – charger

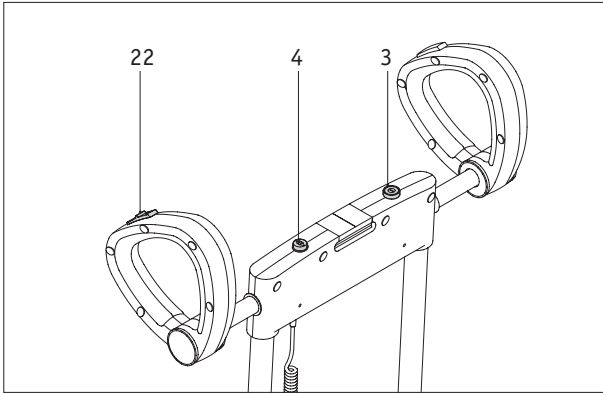
Designation/type:	BC 24005LA
Input voltage:	90-265 V
Nominal output voltage:	24 V
Charging current:	0,5 A
Charging process:	IU0U
Use:	Only in conjunction with the above mentioned battery

All of the scalamobil's electrical components are protected against dampness, humidity, and water splashes.

Due to continuous development, we reserve the right for design changes.

2 Control Components

2.1 On/Off button



The scalamobil is switched on or off by pressing the On/Off button [3]. When switching on the display element [4] simultaneously shows the last direction of travel selected on the direction of travel switch [22] and the state of charge of the battery.



In order to protect the batteries, the scalamobil is automatically switched off if it has not been in use for 5 minutes. At the same time the light symbols in the display element [4] go out. The On/Off button [3] must be pressed again to re-start the scalamobil.

Note the following indications:



Arrow forwards, steady green light:
“Descending staircase” mode is activated.
(To change over to “Ascending staircase” mode move the direction of travel switch [22] on the left handle cover; see chapter 2.2)



Arrow backwards, steady green light:
“Ascending staircase” mode is activated.
(To change over to “Descending staircase” mode move the direction of travel switch [22] on the left handle cover; see chapter 2.2)



Arrow forwards or backwards, flashing slowly green:
Little residual capacity left in the batteries.
It is recommended that no staircase ascent be attempted. The batteries must be re-charged at once!



Arrow forwards, flashing rapidly green, and square shows steady red light:
The battery capacity is almost completely exhausted. The scalamobil can only travel downwards (emergency state). The driving switch [2] must be switched to the direction “Descending staircase”.

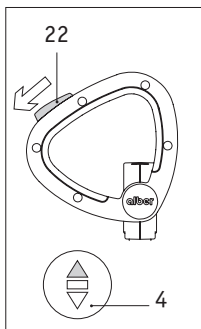


Only steady red light shows in the square:
The battery capacity is completely exhausted. The scalamobil is unable to move.

2.2

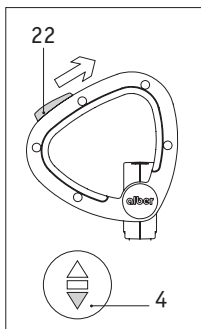
Direction of travel switch

With the direction of travel switch [22] you choose the direction in which you want to go on the staircase.



Pushing the direction of travel switch [22] forwards activates “Descending staircase”.

At the same time the selected direction of travel is shown on the display element [4] by a green arrow (forwards).



Pushing the direction of travel switch [22] backwards activates “Ascending staircase”.

At the same time the selected direction of travel is shown on the display element [4] by a green arrow (backwards).



Always keep an eye on the level of charge of the batteries in the display element [4] and re-charge them in good time. If after charging the batteries it is still not possible to operate the unit then please contact your alber representative.

2.3

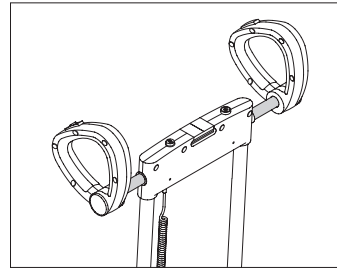
Lock For the Horizontal Axle [5]

The lock for the horizontal axle is essential for climbing extremely spiral staircases with the scalamobil. The handle-bars can be shifted from their regular position either completely to the right or to the left.

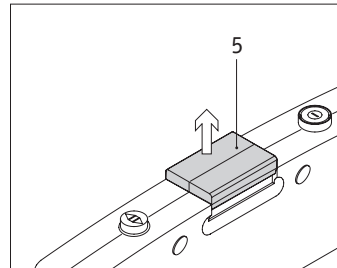
- pull the adjustment knob [5] upward to unlock the safety mechanism.
- push the grips in the desired position; the adjustment knob locks automatically.



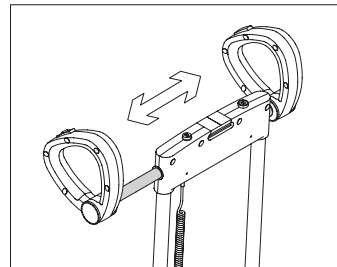
Before operation, please make sure that the lock has fastened.



Handle in the middle (normal position).



Pull the adjustment button up; safety mechanism is disengaged.

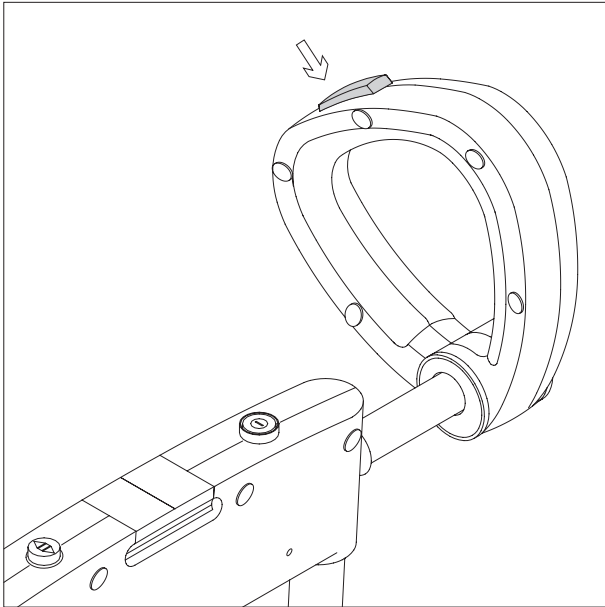


Push handle into the desired position (locking device automatically re-engages).

2.4

Driving Switch [2]

After switching on and selecting the desired direction of travel (see chapter 2.1 and 2.2) the scalamobil is set in motion with the driving switch [2] .



- Through constant pressure on the driving switch [2] the scalamobil moves in the selected direction.
- Releasing the driving switch [2] causes the scalamobil to stop instantly.
- When single-step switch is activated (see chapter 2.6.1), the scalamobil travels one complete climbing cycle over a single step and then stops.
- The driving switch [2] then has to be released and pressed again to travel up the next step.
- When single-step switch is not activated a continuous operation takes place until the driving switch [2] is released.

2.5 Battery

2.5.1

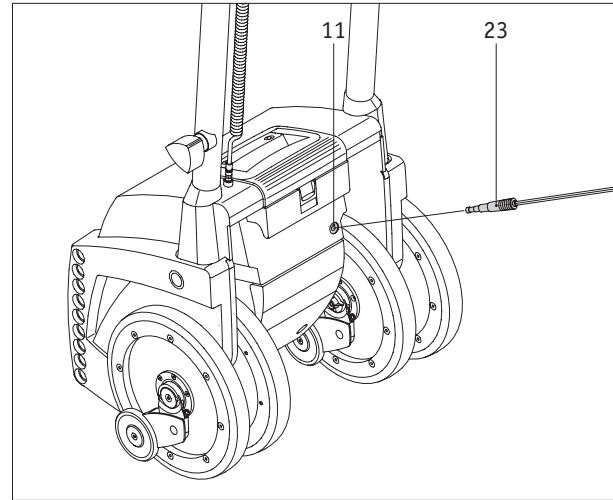
Charging the battery

Your scalamobil is equipped with a set of high-performance batteries, that permit up to 300 steps to be traveled. After each use of the scalamobil the batteries should be re-charged, however, to avoid an unintentional standstill on the staircase due to empty batteries.

- **First (!)** insert the plug from the charger [23] into the socket [11] of the battery pack.
- Then connect the charger to a mains socket in the wall.
- During the charging cycle the LED display on the charger shows a steady orange light.
- Once the charging procedure is complete the LED on the charger changes to a steady green light.

During the charging cycle the scalamobil is automatically switched off.

After charging the batteries pull the plug [23] out of the charger socket [11].



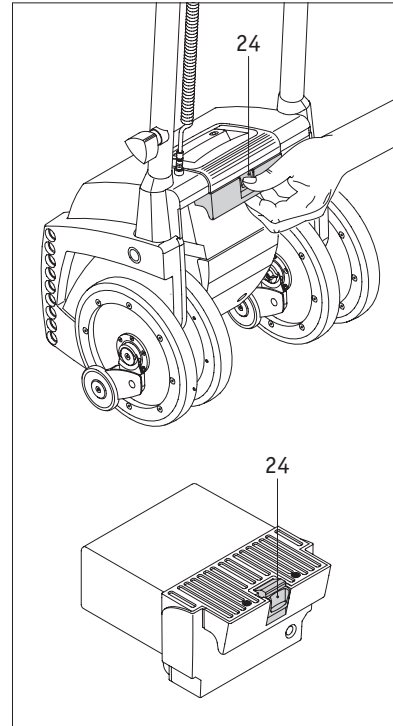
i Please make sure that the batteries are re-charged every time after the scalamobil has been used. The mains charger automatically switches to charge maintenance once the batteries are fully charged. Please also observe the instructions contained in the operating manual that comes with the charger. If the scalamobil is not in use for a longer period (more than 1 day), the charger should first be disconnected from the batteries and then from the mains socket. Before each use of the scalamobil please check the battery capacity. The batteries must be fully charged.

2.5.2

Removing the battery

Normally the battery integrated into the scalamobil housing does not need to be removed.

- Press the locking mechanism [24] on the battery housing downwards.
- Pull the battery out of the scalamobil housing.
- When the battery is re-inserted into the scalamobil housing, the locking mechanism [24] engages automatically.
- Have a drive battery replacement carried out by an authorized supplier since they know about the possible risk situations and can correctly dispose of defective batteries.

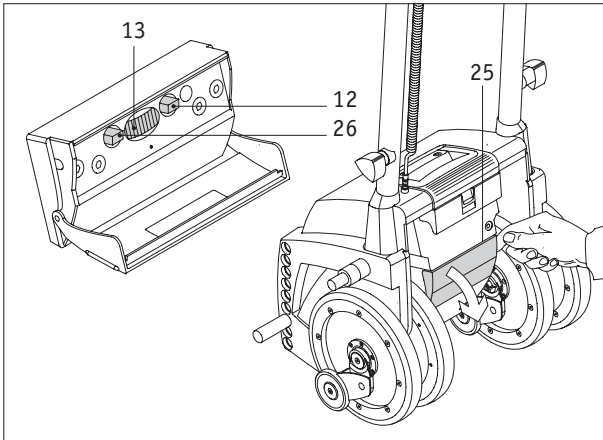


Additional batteries can be obtained from cilber as accessories.

2.6

Control compartment

In the control compartment underneath the battery are the button for activating the single-step switch [12], the rotation regulator [13] and a driving program selection switch [26]. In order to access the control elements you just need to swing the cover [25] downwards.



Under no circumstances must you turn the rotary switch to the right of the single-step switch [12]. This was adjusted by the specialist dealer to exactly suit your staircase. Improper adjustment to this switch may result in functional problems with your scalamobil.

The set-up of the electronic control unit is to be performed only by certified dealers. These final tuning adjustments of the controller may affect other activities of the system. Damage to the equipment could occur if these adjustments are not made by certified personnel. If non-certified individuals perform any work on these units, they do it on their own liability!

2.6.1

Single Step Switch [12]

To activate the single step mode you press the single step switch. Read more about this function in chapter 4.4.



Inward position: single step switch turned on



Outward position: single step switch turned off

2.6.2

Rotation Regulator [13]

With the rotation regulator you can adjust the climbing speed to your liking. The lowest speed is 6 steps per minute at position 1 of the switch; the highest speed comes to 19 steps per minute at position 6.



New users should avoid the highest speed when they first learn how to operate the scalamobil until they are used to handle the device safely.

- **For the first driving exercises, the maximum speed is to be reduced.**
- **Make yourself familiar with the driving behavior of the electric system and slowly determine your limits.**

2.6.3

Driving program selection switch [26]

When it is delivered to you, the scalamobil is individually set to meet your requirements by an **alber** representative. Amongst other things, parameters such as the height of the steps on the staircase that you use is permanently stored as “Home staircase mode”.

If you travel up or down a staircase other than the one stored in the device, then you can temporarily deactivate the programmed setting by pressing the driving program selection switch [26]. The scalamobil will then operate using the factory setting or “Other staircase mode”.

If you then wish to revert to the preset staircase, place the driving program selection switch [26] back to the “Home staircase mode” setting.

For further details on these modes of operation, please contact your **alber** representative.



Switch pressed in: Home staircase mode activated



Switch not pressed in: Other staircase mode activated

3

Initial Operation

3.1

Safety of the wheelchair occupant

The first priority while climbing stairs is always the safety and comfort of the occupant.

Therefore, please follow the safety instructions listed in chapter 3.2 and the recommendations made in the training session carefully.

In addition, the following situations may arise occasionally:

- In case the occupant feels ill while climbing stairs, stop climbing and take care of the occupant.
- In case the occupant has back problems, reduce the climbing speed. The scalamobil's wheels touch down more softly and the entire climbing process becomes more agreeable to the occupant's needs.
- During the climbing process some occupants may feel a tension in the neck. In such cases it is advisable to attach an additional headrest to the scalamobil.
- In principle every climbing process has to be completed. However, if the situation arises and you must interrupt the climbing process, lay the scalamobil with the attached wheelchair backwards on the stairs. Due to the safety brakes, it is impossible that the scalamobil rolls over the edge of the step.

- During the staircase mounting procedure the wheelchair occupant should be in a quiet and relaxed state of mind. If he should for some reason (e.g. due to his state of health) exercise violent movements, then travel on the staircase should be interrupted at once. Lay the scalamobil with the attached wheelchair backwards on the stairs. Due to the safety brakes, it is impossible that the scalamobil rolls over the edge of the step. Calm down the occupant before proceeding with the travel.

If the occupant reaches or leans, it will affect the center of gravity of the chair and system combination. This may cause a fall or tip-over. When in doubt, ask for help or use a device to extend your reach.

- NEVER reach or lean if you must shift your weight side wards or rise up off the seat.
- NEVER reach or lean if you must move forward in your seat to do so.
- Always keep your buttocks in contact with the seat.
- An adjustable back support that is extremely lowered to the back with respect to the seat angle generally reduces the tilting stability of the chair with the system. Especially when driving upstairs, set the back support in an upright position and set the seat angle into a flat horizontal position!

- When using a wheelchair with height-adjustable leg support, you must take into account that the horizontal position of the leg support and your legs can displace the center of gravity forwards, and this consequently reduces the braking and steering performance of the system. Furthermore, this increases the danger of tipping over, as well as the lateral drift of the wheelchair when driving on a sloped gradient.

3.2

Safety Instructions

- Only persons who participated in a training session may operate the scalamobil.
 - The scalamobil may only be used with specially adjusted wheelchairs and/or accessories.
 - Never use the scalamobil inside on wet, slippery, waxed surfaces or on loose rugs or carpets.
 - Never use the scalamobil outside on wet, slick or icy grounds.
 - NEVER use the system on an escalator, even with an attendant. If you do, a fall or tip-over is likely.
 - Use the scalamobil exclusively on staircases with a step depth of a minimum of 11 cm and a maximum step height of 20 cm.
 - Please wear dry, non-skidding, closed footwear when climbing stairs with the scalamobil.
- Never release the handlebars while operating the scalamobil on stairs.
 - Never touch the turning wheels when you climb stairs or clean the device.
 - Make sure that no extraneous particles (e.g. pebbles) get into the power unit or the brakes.
 - NEVER overload the chair or the system and NEVER load it with more than one person! Load benchmarks can be viewed in the technical data of the user manual or on the type plate of the chair. NEVER exceed the weight of these benchmarks.
 - If you do exceed the limit, damage to your chair or your respective system, a fall, tip-over, or loss of control may occur and cause severe injury to the rider or others.
 - During the climbing process neither the operating person of the scalamobil/scalacombi nor the wheelchair occupant should be intoxicated either with alcohol or with drugs that could affect them.



You may never use the scalamobil in the vicinity of inflammable gases.

3.3

Performance Check Before Operation

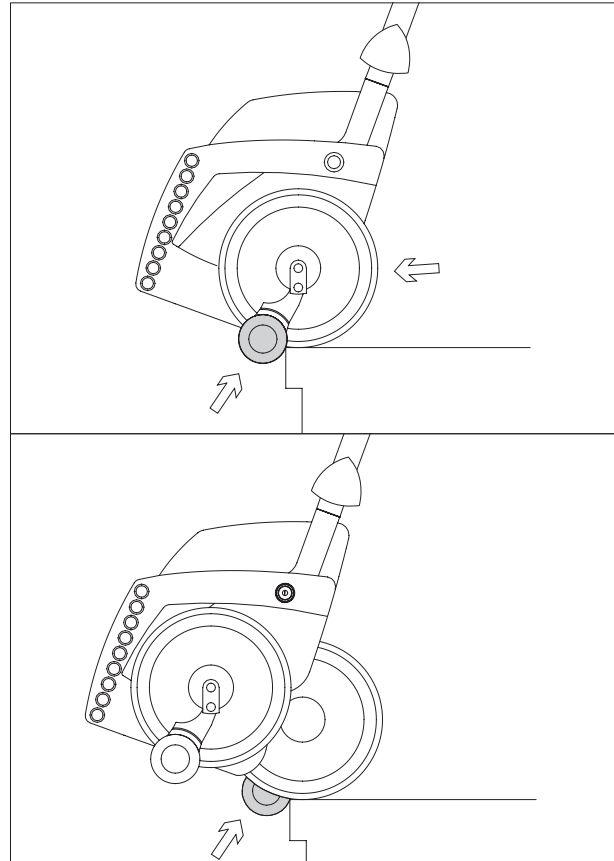
Due to operating safety, you should check the scalamobil's brakes before each use, (the check is done without the wheelchair).

Further, you should only use the scalamobil with fully charged batteries.

- Please check whether the adjustment knobs [8] to adjust the height of the handlebars are tightly fastened.
- Switch the unit on as described in chapter 2.1 and place the direction of travel switch [22] in the position "Up" (arrow symbol ↑).
- Put the scalamobil on the outer set of wheels by pressing the driving switch [2], (the single step mode is not activated).
- Push the scalamobil to the edge of the stairs.

The safety brakes at the outer wheels must lock now; the scalamobil is not supposed to go over the edge of the stairs.

- Pull the scalamobil back from the stairs' edge.



- Place the direction of travel switch [22] in the position “Down” (arrow symbol ↓)
- Place the scalamobil on the inner pair of wheels by pressing the driving switch [2] during deactivated single-step switching.
- Push the scalamobil to the edge of the stairs’ again.

The safety brakes at the inner wheels must lock now; the scalamobil is not supposed to go over the edge of the stairs.

- Have the brakes repaired immediately by an authorized supplier if they work only on one-side or have a reduced effect.
- Check the brake system for flawless function each time you start to drive!

If all four brakes work correctly, you may attach the scalamobil to the wheelchair as described in chapter 3.4.

In General - before each use of your system:

- Make sure the chair with the respective system rolls easily and that all parts work smoothly. Check for noise, vibration, or a change in ease of use (these may indicate loose

fasteners or damage to your chair or your system).

- Do not try to repair problems yourself. Your authorized supplier can help you find and correct problems.
- Check the brakes.
- If you fail to heed these warnings, damage to your chair or your respective system, a fall, tip-over, or loss of control may occur and cause severe injury to the rider or others.



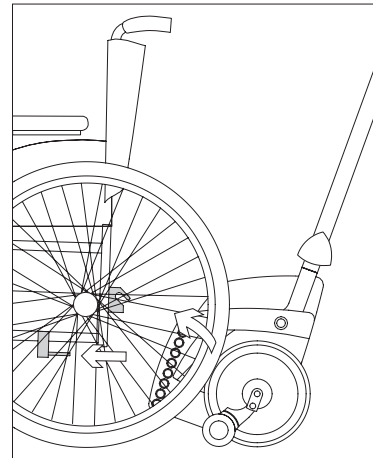
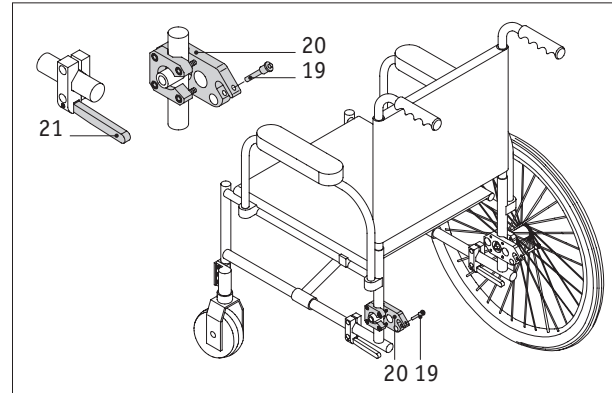
In case not all four brakes lock, do not use the scalamobil. Please contact your older representative immediately.

3.4

Mounting to the Wheelchair

In order to mount the scalamobil to your wheelchair, it has to be equipped with a special **alber**-holding device. If this device has not been attached to your wheelchair yet, your dealer, or the **alber**-representative delivering the scalamobil will do so.

- Remove the locking pins [19] from the upper bracket [20].
- Make sure that the wheels of your wheelchair are locked with their brakes so that the wheelchair does not move.
- Set the rotation regulator [13] at the lowest climbing speed (position 1).
- Align all four wheels of the scalamobil by pressing the driving switch [2].
- Move the lower bolts [16] into the lower hooks of the holding device [21]; make sure that the scalamobil is in the middle of the wheelchair.
- Place the direction of travel switch [22] in the “Upwards” position (see chapter 2.1) and press the driving switch [2] so long until the upper mount [15] catches in the mounting forks of the bracket [20].

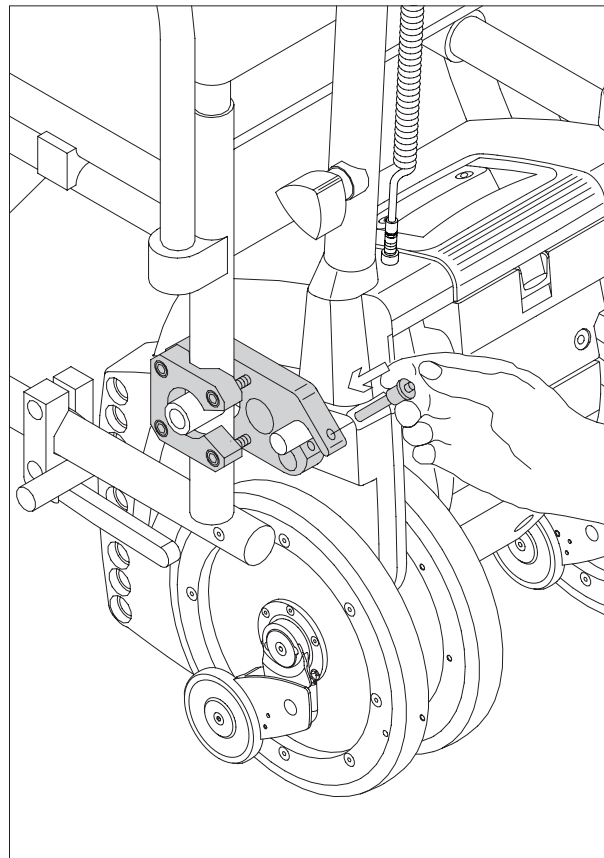


- lock the upper holding device [20] with the locking pin [19]. Unlock the locking pin by pushing in its center with your thumb, then drive the locking pin all the way into the holding device.

In order to begin climbing stairs, you need to unlock the brakes of your wheelchair's back wheels and remove the wheels. See chapter 4 on how to climb stairs. If you want to continue driving with your wheelchair on level ground, once more align the wheels of the scalamobil in a parallel position by pushing the driving switch [2]. Then unlock the brakes of the wheelchair. The scalamobil is attached to the wheelchair and ready to use, but it does not hinder the wheelchair's regular operation.



Use only the original alber-locking pins, tested for their safety, to secure the upper holding device. The alber locking pins are part of the delivery package. If you lose them, never replace the locking pins by nails, screws or the like. Do not touch the wheels of the scalamobil ever when the latter is in operation.



3.5

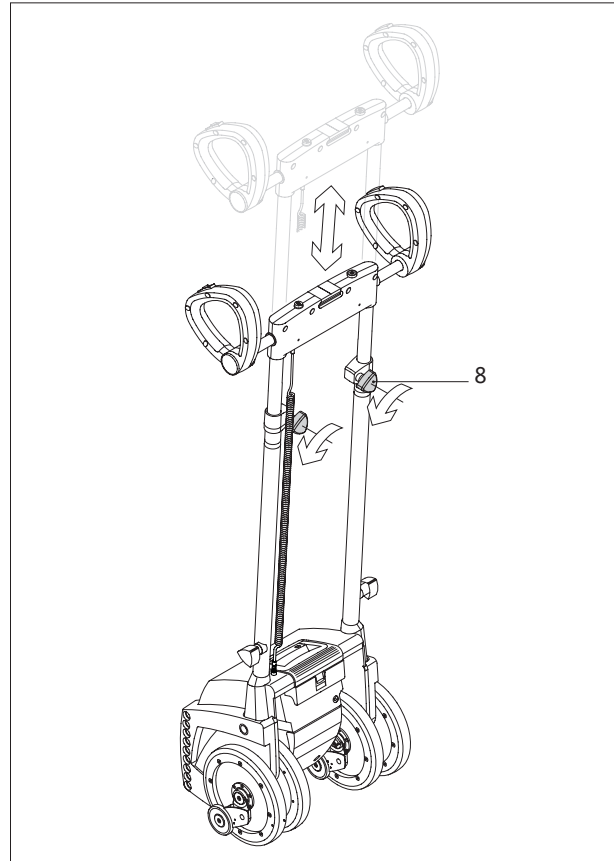
Height Adjustment of the Handlebars

In order to use the scalamobil comfortably, the height of the handlebars can be adjusted.

- Turn the adjustment knobs [8] approximately one rotation counter clockwise.
- Put the handles into the desired position.
- Retighten the adjustment knobs [8].



The adjustment range above ground lies between 1.15 m and 1.55 m. Ideally the grips should be at breast-height of the person operating the scalamobil. Only use the scalamobil with the locking grips tightly fastened.

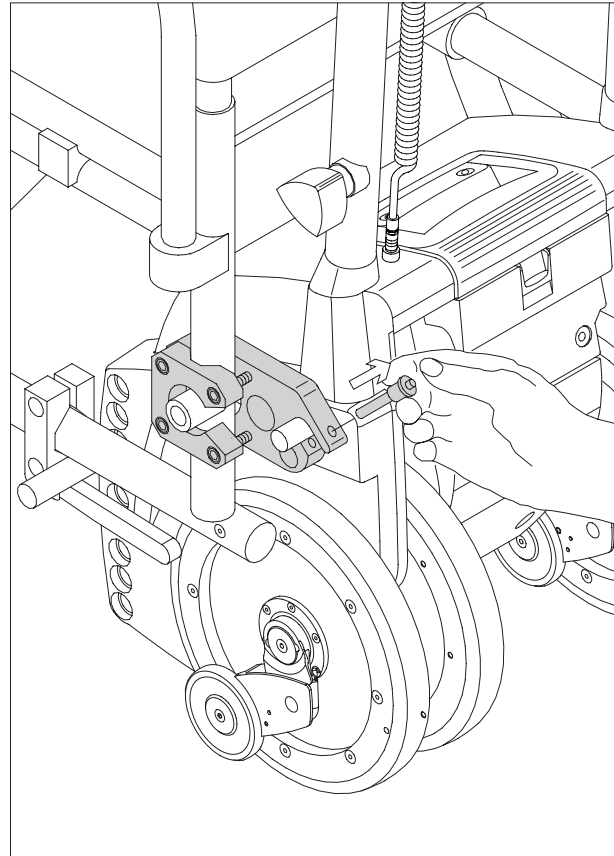


3.6

Removal from the Wheelchair

To remove the scalamobil from the wheelchair you first need to attach its big wheels again.

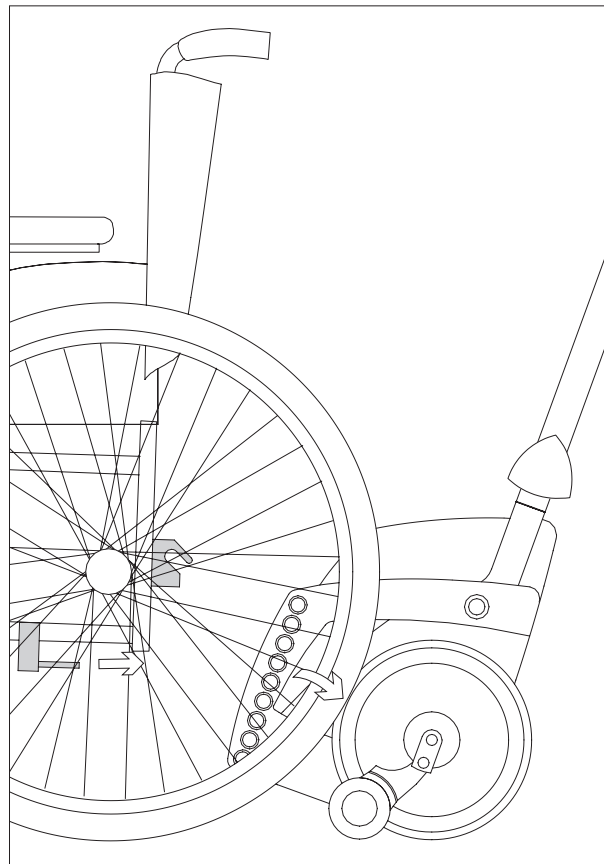
- Turn the rotation regulator [13] to the lowest climbing speed (position 1).
- Place the direction of travel switch [22] in the position “Downwards” (see chapter 2.1) and press the driving switch [2] so long until the outer wheels of the scalamobil lift the wheelchair.
- Insert the wheelchair’s wheels into their fittings.
- Lock the wheelchair’s wheels with its brakes so that the wheelchair cannot be moved.
- Remove the **alber**-locking pins [19] from the forks of the upper holding device [20] by pressing your thumb on the center of the pin while simultaneously taking it out with your middle and index finger.



- Place all 4 scalamobil wheels in a parallel position by pressing the driving switch [2] (The unit lowers itself, the wheelchair comes to rest on its wheels).
- Remove the scalamobil from underneath the wheelchair.
- Re-insert the locking pins [19] into the mounting fork of the upper bracket [20].



Please make sure that the wheelchair's wheels are securely locked into their fittings.



3.7

Removal of the Handlebars

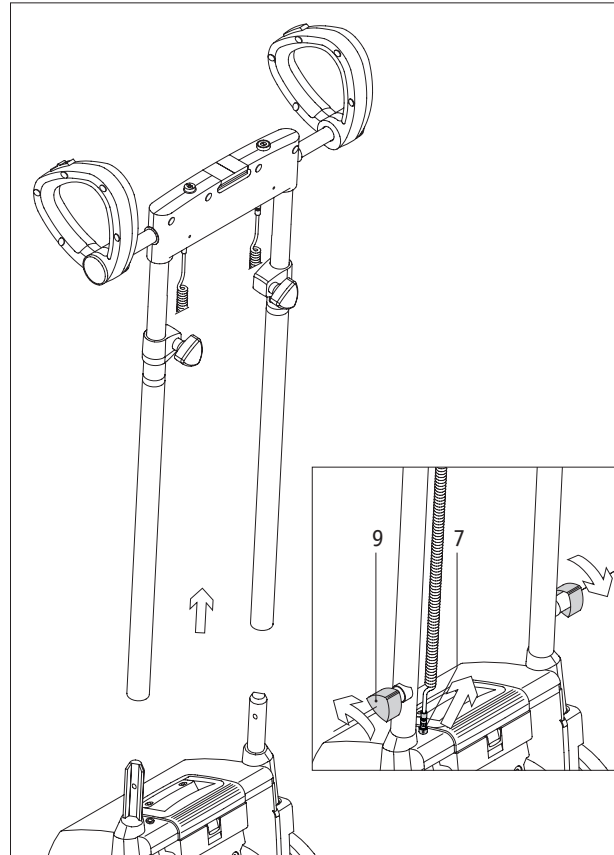
If necessary, for instance when transporting the scalamobil in your car, the handlebars can be completely removed.

- Push the grips together (see chapter 3.5), so that they take up a minimum of space.
- Unplug the plug [7] on top of the housing.
- Loosen the fastening screws [9] located on the side; turn them until they nearly come loose.
- Lift out the entire handlebars.

CAUTION!

If you have demounted the scalamobil/scalacombi and transport it in a moving vehicle:

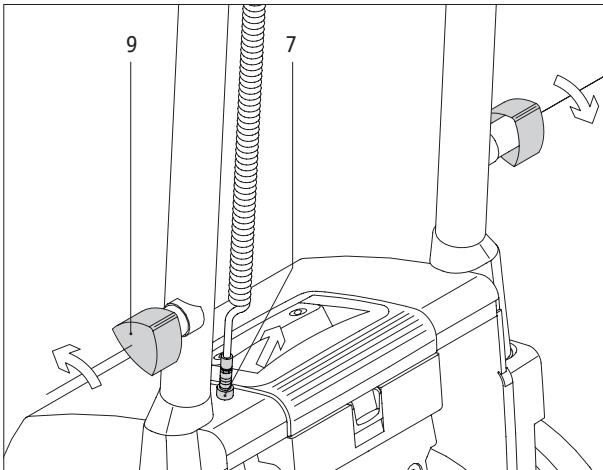
- NEVER let anyone sit in this chair and system combination while in a moving vehicle.
- ALWAYS move the rider to an approved vehicle seat.
- ALWAYS secure the rider with proper motor vehicle restraints.
- NEVER transport the chair and system on the front seat of a vehicle. It may shift and interfere with the driver.
- ALWAYS secure the chair and respective system so that it cannot roll or shift.
- DO NOT use any chair or any system that has been involved in a motor vehicle accident.



3.8

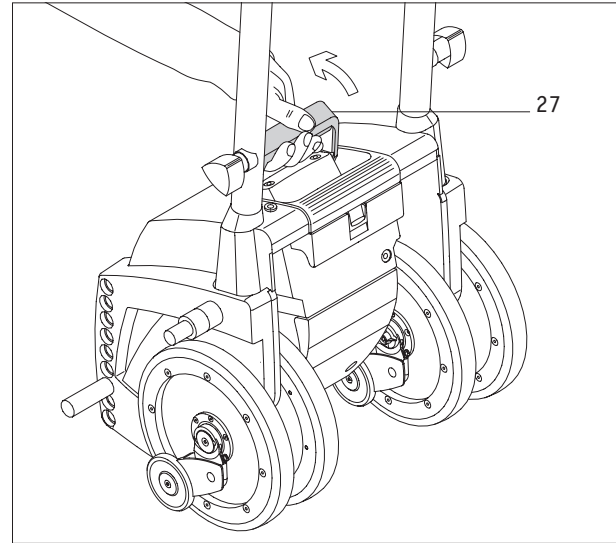
Mounting the Handlebars

- Push the handlebars into their fixtures.
- Screw on the fastening screws [9], and make sure that they are tight.
- Put the plug [7] into its socket on top of the housing.
- Adjust the height of the handlebars so that the person operating the scalamobil can easily handle the device (see chapter 3.5 height adjustment of the handlebars).



3.9

Carrying handle



After you have removed the handle as described in the last chapter, you can fold out the carrying handle [27] that is integrated into the housing, in order to be able to transport the scalamobil.

If the carrying handle [27] is no longer in use, then fold it back into the housing.

When transporting the scalamobil in the car it is recommended to remove the battery (see chapter 2.5.2).

4 Operation

4.1

General instructions

When it is delivered to you, the scalamobil is individually set by the **alber** representative to meet your requirements, particularly to the staircase on which you will be using it. Please make sure that you allow your **alber** representative to explain all the possible scalamobil settings to you when you are being instructed in the operation of the device. If required, you may also change the driving speed (see chapter 2.6.2) of the scalamobil, and activate and deactivate the driving program (see chapter 2.6.3) and the single-step switch (see chapter 4.4).

The direction of movement of the scalamobil can only be changed when it is at a standstill, i.e. not whilst it is in motion on the stairs, using the direction of movement switch [22].

However, if the direction of movement is changed during travel, then the change does not take effect until the driving switch [2] has been released and pressed again.

There is a sensor integrated into the scalamobil which, only during the ascent of a staircase, constantly compares the inclination of the device to the preset ideal position. If the deviation is too great (only in "home staircase mode") the scalamobil climbs to the next step and stops there. Further

travel is then only allowed if you reset the correct angle of inclination (by going to the next step up, for example). Depending on the programming undertaken by the **alber** representative, further movement may then occur either by keeping the driving switch [2] depressed or by releasing and re-pressing the driving switch [2].



During the training on the scalamobil, carried out by your specialist dealer or **alber representative, you will get more information regarding the ideal angle of inclination for climbing stairs.**

4.2

Upstairs (single step switch is not activated)



Before each climbing process there must be a performance check (see chapter 3.3).

In order to climb stairs, you need to remove the back wheels of your wheelchair. First you attach the scalamobil to your wheelchair as described in chapter 3.4.

Then you do as follows:

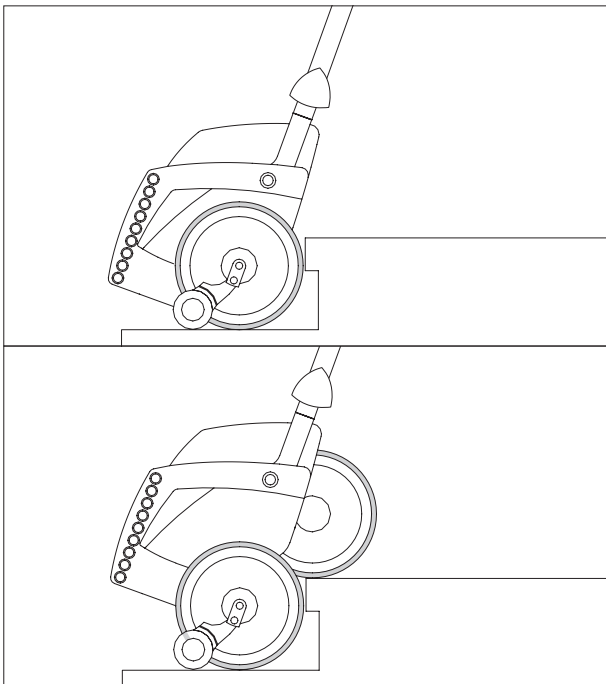
- Push the direction of travel switch [22] back (also see chapter 2.1).
- If you have not done so already, turn on the scalamobil by pressing the On/Off button [3].
- Align all four wheels of the scalamobil by pressing the driving switch [2].
- Adjust the handlebars to breast height of the person operating the scalamobil (see chapter 3.5).
- Tilt the scalamobil plus wheelchair backwards and towards you.
- You have reached an ideal position when you feel hardly any pressure forward or backward accordingly.
- Drive the scalamobil backward to the stairway.

- Move up two steps above the level of the wheelchair.
- Pull the scalamobil against the lowest step.
- Push the driving switch [2]; the scalamobil begins climbing. (As soon as you release the driving switch [2], the climbing process is interrupted immediately; the wheels stand still).

The inner pair of wheels touches down on the first step. At the same time the scalamobil with the attached wheelchair is lifted. As soon as all four wheels are in a parallel position once more, the first step has been climbed – the climbing cycle has been completed.

When climbing regular stairs with standard depth, you may push the driving switch [2] continuously (recommended for skilled users only) and climb step after step without interruption.

When climbing stairs with an extremely high depth, interrupt the climbing process until you have pulled both pairs of wheels in parallel position to the next step's edge.



! During the climbing process always pull the scalamobil towards you. Also the scalamobil plus wheelchair needs to remain in the same tilted, balanced position all the time. Never release the grips of the scalamobil!

Once you have reached the top of the stairs, pull the scalamobil plus wheelchair as far back that the wheelchair's front wheels are securely on the floor. In no instance are they to jut out of the step's edge!

The wheels of the scalamobil are now in parallel position. In this combination, scalamobil plus wheelchair, you may cross short distances within your house. However, for further distances or for use outside, we recommend that you attach the wheelchair's big wheels (see chapter 3.6).

When the scalamobil is attached to the wheelchair, the center of gravity of the whole mechanism shifts backward. Thus, before the patient gets out of the wheelchair either remove the scalamobil or by pushing the driving switch [2] advance the outer wheels [17a] until they touch the floor to function as an additional support.



While you use the scalamobil on stairs you need to make sure that the wheelchair driver sits upright and leans on the wheelchair's back. He further needs to put his feet on the foot rests.

4.3

Downstairs (the single step switch is not activated)



Before each climbing process there must be a performance check (see chapter 3.3)

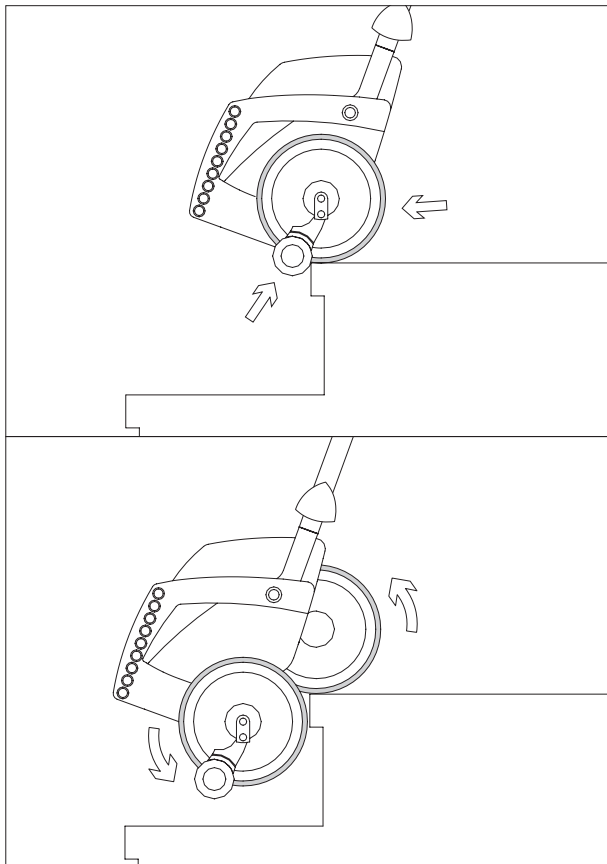
When you climb downstairs, you also need to remove the wheels of your wheelchair (see chapter 3.4). Then do as follows:

- Push the direction of travel switch [22] forwards (also see chapter 2.1)
 - If you have not done so already, turn on the scalamobil by pressing the On/Off button [3].
 - Align all four wheels of the scalamobil by pushing the driving switch [2].
 - Adjust the handlebars to breast height of the person operating the scalamobil. (also see chapter 3.5).
 - Tilt the scalamobil with the attached wheelchair toward you and balance it out.
 - You have reached an ideal position when you hardly feel any pressure forward or backward accordingly.
- Advance slowly to the edge of the stairs until the automatic brakes grip blocking any further advancement.
 - Push the driving switch [2]; the scalamobil begins to descend the stairs. (If you release the driving switch [2], the climbing mechanism is interrupted immediately; the wheels come to a standstill).

While the inner pair of wheels remains on the upper step, the outer pair of wheels descends to the following step. Simultaneously the scalamobil plus attached wheelchair moves down. As soon as all four wheels are in a parallel position again, you climbed down one step, the climbing cycle has been finished.

When descending regular stairs with standard depth, you may push the driving switch [2] continuously climbing down step after step without interruption (recommended for skilled users only).

When descending stairs with an extremely high depth, you should interrupt the descending process until you have pushed the pairs of wheels (in parallel position) forward to the edge of the following step.



! While descending stairs always push the scalamobil slightly forward, away from you, until the brakes grip on the edge of the following step. Also the scalamobil needs to remain tilted approximately in the same angle. Finally, never release the grips of the scalamobil!

When you reached the end of the stairs, push the scalamobil with the attached wheelchair away from the stairs. The scalamobil's wheels are still in parallel position. In this combination, scalamobil plus wheelchair, you may cross short distances in your house or apartment.

However, for further distances or for use outside, we recommend to remount the wheelchair's big wheels (see chapter 3.6).

When the scalamobil is attached to the wheelchair, the whole mechanism's center of gravity shifts backwards. Thus, before the occupant gets out of the wheelchair, either remove the scalamobil or by pushing the driving switch [2], advance the scalamobil's outer pair of wheels [17a] until they touch the floor and function as an additional support.

4.4

Climbing Stairs in Single Step Mode

In chapters 4.2 and 4.3 you have been introduced in detail to the individual steps to climb stairs safely. By pushing the driving switch [2] continuously the scalamobil's wheels begin moving; releasing the switch results in the immediate standstill of the wheels. A continuous use is also possible simply by keeping the driving switch [2] pressed.

When you activate the single step switch [12], the climbing process is slightly different:

- Pushing the driving switch [2] permanently also results in the rotation of the scalamobil's wheels; however, after one full rotation they automatically come to the correct parallel position, even if you still press the driving switch [2].
- To continue climbing or descending you need to release the driving switch [2] and push it continuously once more to initiate the scalamobil's next climbing cycle.

When you need to climb spiral stairs, the single step mode is particularly useful. As stated in chapter 4.6, there it is indispensable to advance the scalamobil's outer wheels to the edge of the following step. When you activate the single step switch, you automatically prevent an erroneous initiation of the climbing cycle before the scalamobil's wheels are all the way at the edge. Therefore, the climbing and descending becomes even safer for both the person operating the scalamobil and the person being transported.

For persons unskilled in operating the scalamobil, we recommend to activate the single step switch also for climbing regular stairs.



If you continuously push the driving switch the wheels complete one rotation. As soon as you release the driving switch [2] the wheels come to a standstill, also when the single step is activated.

4.5

Special Soft Step Function

The Soft Step feature is integrated into the scalamobil control program and activated in the factory settings. If desired, your **alber** representative can deactivate the function.

When Soft Step is activated, and depending on the selected driving speed, the rotation speed of the scalamobil motor decreases just before the wheels come to rest on a step. Once this has been surmounted, the motor increases its speed of rotation again until just before the next step is reached. This movement procedure produces a softer landing of the scalamobil wheels on the steps of the staircase, resulting in the wheelchair occupant noticing a much gentler course of movement.

4.6

Operation on Winding Stairs

In principle the operation of the scalamobil climbing or descending winding stairs follows the analogous steps described in chapter 4.2 and 4.3. Also the same safety instructions apply. However, we would like to call your attention to the following particular characteristics, since the inside wheels cross a shorter distance than the outside wheels.

4.6.1

Upstairs

- If you have not done so already, turn on the scalamobil by pressing the On/Off button [3].
- Advance the scalamobil's four wheels so that they touch the edge of the step.
- Place the direction of travel switch [22] in the "Up" position and press the driving switch [2]. The scalamobil descends one step.
- Release the driving switch [2] when all four wheels of the scalamobil are in a parallel position; the climbing process is interrupted.
- Advance to the next step by pulling the outer wheels backward until they touch the edge of the following step.

4.6.2

Downstairs

- If you have not done so already, turn on the scalamobil by pressing the On/Off button [3].
- Advance the scalamobil to the edge of the step so that all four wheels touch the latter.
- Place the direction of travel switch [22] in the “Down” position and press the driving switch [2]. The scalamobil descends one step.
- Release the driving switch [2] when all four wheels of the scalamobil are in a parallel position; the climbing process is interrupted.
- Advance the scalamobil to the next step by pushing the outer wheels forward until they touch the edge of the following step.
- Begin the next climbing cycle as soon as the brakes grip on the step’s edge.

Recommendation:

since the climbing process must be interrupted on each step, we recommend to activate the single step switch (see chapter 4.4).



If necessary you may shift the handlebars horizontally to gain more space on your left or right side, be it the wall or the handrail (see

4.7

Diverging operating feature for scalacombi

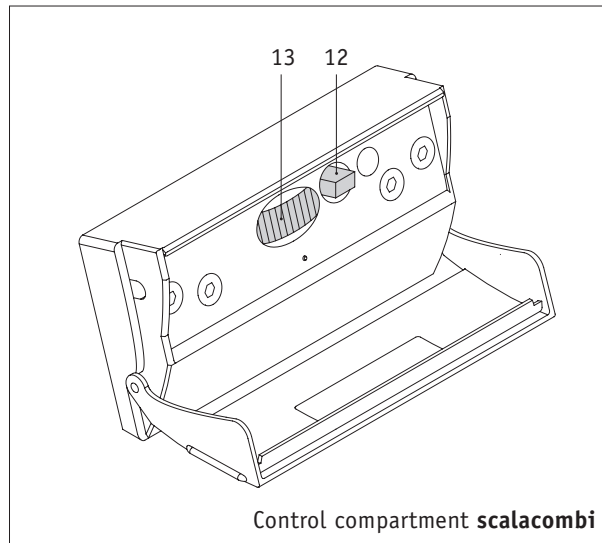


The following information relates exclusively to the scalacombi S31 with integrated seating unit, not to the scalamobil S30

36

The scalacombi possesses almost identical technical features to the scalamobil S30, but differs from it in the one staircase climbing function.

The driving program selection switch (see chapter 2.6) situated in the control compartment does not exist on the scalacombi. Consequently the “Home and Other staircase” functions (see chapter 2.6.3) are missing. All the other functions described in this operating manual are entirely at your disposal or may be activated by your **alber** representative.



Control compartment **scalacombi**

[12] Activation of the single-step switch

For functional description see chapter 2.6.1

[13] Rotation regulator

For functional description see chapter 2.6.2



Please also observe the information enclosed separately for attaching the seating unit.

5

Care and Maintenance

5.1

Information Concerning the Batteries

The batteries of your scalamobil are maintenance-free and rechargeable. Their durability depends largely on the charging/discharging cycle. For instance, lead batteries are good for more than 1000 partial discharges and for more than 200 discharges of the whole capacity, if a total discharge is avoided. The scalamobil's built-in electronics constantly check the state of the battery thus preventing a total discharge.

- Avoid a total discharge of the battery. Recharge your battery after each partial discharge, i.e. after each time you use the scalamobil.
- Lead batteries are subject to a so-called self-discharge. Therefore, you should connect the battery of the scalamobil, whenever possible, to the **alber** charger. The **alber**-automatic charger immediately turns to retaining the charge when the battery is fully charged, i.e. it is, therefore, impossible to overcharge the batteries.
- If you store batteries for a longer period of time without charging them, they lose some of their capacity. However, after charging and discharging them several times, they regain their full capacity.



The batteries regain their full capacity not before charging and discharging them three to four times.

he following warnings should be heeded concerning the proper use and handling of the battery:

- The warranty and performance specifications contained in the manual of this system are based on the use of lead-gel battery cells. Alber strongly recommends their unit as the power source for use of this product.
- The daily use of this system places a high demand on the drive batteries, and they can only fulfill their function when they are maintained and charged. Drive batteries undergo a normal ageing process. Drive batteries must be replaced when they no longer give the full power or are defective despite correct charging.
- Have a drive battery replacement carried out by an authorized supplier since they know about the possible risk situations and can correctly dispose of defective batteries.
- When working near batteries, never touch the battery terminals with tools, cable ends, or other metallic items. Danger of short-circuit and explosion!

- Never use a naked flame or cause sparks close to the battery. Danger of explosion!
- DO NOT dispose of old batteries as domestic waste.
- Acid escapes from the batteries and damages the environment. The lead in the battery, a metallic raw material, will be lost. Use one of the following disposal facilities for old batteries:
 - the battery manufacturer
 - the specialist supplier
 - the metal trade
 - an approved disposal facility.
- NEVER try to open a battery! Battery acid is very caustic! Skin and eyes can be injured, and clothing and flooring can be damaged!
- Keep children away from batteries, their accessories, and packaging material.
- Always wash your hands after working on the batteries.
- If there is contact with acid: Immediately rinse skin or body parts that have come into contact with acid under running water for a long period of time. Afterwards, contact a doctor. Immediately remove items of clothing

that have been soaked with acid. Wash clothing with soapsuds and then rinse with plenty of water.

- If there is fluid in the battery case, remove it carefully with protected hands. It could be battery acid.
- The voltage of the battery is not suited to operate other equipment (e.g. radio walkie-talkie or similar things). Danger of short-circuit or fire!



The scalamobil's batteries can be charged and discharged in any position. They are considered as safe as dry cells and approved for air travel by DOT and IATA.

5.2

Care

5.2.1

Charging the Battery

Your scalamobil uses up energy each time you employ it. If the battery is fully charged, you can climb approximately 300 steps. However, you should never totally discharge your battery because it may be damaged by it. We, therefore, recommend to recharge the battery after each time you use the scalamobil.

In addition, we recommend that the following information is read and understood prior to use of the battery and its charger:

- Carefully read the battery and charger information in the user's manual prior to installing, servicing, or operating the wheelchair and the system.
- Drive batteries should only be charged with a battery charger that is suitable for the type and rating of the drive batteries. The guarantee is only preserved to its full extent when the supplied and recommended battery charger is used.
- The charging of a discharged drive battery is a simple and safe procedure. Follow the instructions in the user manual for the chair and the system.
- The batteries discharge during the course of time, even when they are not loaded. Therefore, always check the battery charge indicator before the start of a journey.

- NEVER charge the batteries in a moist room, because the charger is connected to the main supply. Danger of short-circuit and to life!
- Protect the battery against heat, moisture, water spray, and impact!
- Ensure a good ventilation when charging the battery (do not cover) in order to dissipate the heat generated by the charger. Danger of fire!
- DO NOT put the charger on the seat of a chair for charging.
- DO NOT smoke and avoid open flame or sparks when handling cables or electric devices. The charging gases that can be produced by the charging are always explosive.
- Avoid spark build up through static electricity (for example, that which is caused by synthetic floor covers).



To charge the battery only use the alber-charger included in the delivery package. The alber charger automatically switches itself off as soon as the battery is fully charged. Thus, it is impossible to overcharge it.

5.2.2 Cleaning

The outside of the scalamobil's 4 big wheels where the brakes are located must be cleaned regularly with alcohol to ensure the efficient functioning of the brakes.

If your scalamobil is in use daily, you need to clean said parts weekly, otherwise once a month is sufficient.

The powered wheels and the brakes are checked during the biannual safety check, and if necessary substituted by new parts. All other components can be cleaned by following the warnings listed below:

- DO NOT clean the scalamobil/scalacombi with a high-pressure cleaner! Danger of short circuit!
- Keep water and moisture away from electrical components and cables! Danger of damage to the electronics and the control unit through water jets.
- For care, you should use silicon free cleansing or care agents on a warm water basis. In doing so, the manufacturer's instructions are to be observed.
- DO NOT use aggressive cleaning agents, such as solvents, hard brushes, etc.
- Only clean plastic parts with warm water and neutral detergent or soft soap.
- For disinfection you should use agents, which don't corrode the surface of the scalamobil/scalacombi.
- In doing so, the instructions of the manufacturer of the agents are to be observed.
- Before disinfection, the upholstery should be clean.

5.3 Maintenance

Your scalamobil/scalacombi is an extremely low-maintenance device. Nevertheless, you should check all attachment parts and accessory parts in regular intervals to ensure that these parts are firmly seated. However you should have an expert perform a technical safety inspection of your scalamobil /scalacombi every two years, at the latest. In such an inspection damage and signs of wear and fatigue that occur due to use of the system, and that cannot be detected externally can be detected. To arrange such an inspection contact your **alber** authorized dealer directly.

- If you detect a problem, make sure to service or repair the scalamobil / scalacombi with the respective system before further use.
- Any kind of modification on this chair and respective system done by yourself may increase the risk of an accident.
- Consult your authorized supplier BEFORE you attempt to modify or adjust your chair and respective system.
- At least every two years have a complete inspection, safety check, and service of your chair and your system done by an authorized dealer.

6

Quick help in case of faults

What to do if...	Remedy	Contact...
the brakes do not grip properly during the performance check?	clean the wheels and brake drums with alcohol	
the brakes still do not grip properly after you cleaned them with alcohol	stop using the scalamobil	your alber -representative
the batteries cannot be recharged	this malfunction can only be repaired at Ulrich Alber GmbH	your alber -representative
the scalamobil cannot be turned on	remove the charger	
the scalamobil still cannot be turned on, even though the charger has been removed		your alber -representative
The scalamobil comes to a standstill during staircase climbing	Change the angle of inclination of the scalamobil (it may be necessary to release and re-press the driving switch [2]). If the scalamobil still does not move press the On/Off button [3] once or twice.	

What to do if...	Remedy	Contact...
The scalamobil comes to a standstill during staircase climbing and correcting the angle of inclination does not help	Lay the scalamobil to the back. The automatic safety brakes will prevent it rolling off the edge of the step.	A second person who can assist you in lifting the scalamobil step by step either up or down
The LED display in the direction of travel display element [4] is faulty?	The scalamobil can still be used for a short time; it must be repaired as soon as possible.	your alber -representative
Direction of travel switch [22], driving switch [2] or On/Off button [3] jam?	Under no circumstances must you continue to use the scalamobil.	your alber -representative
The red LED indicator flashes in the display element [4]?	Complete the current staircase maneuver as soon as possible and re-charge or exchange the battery.	
The red LED indicator shows a steady light in the display element [4]?	Charge or exchange the battery.	

7

Warranty and Liability

7.1

Warranty

The warranty period for the scalamobil/scalacombi is 24 months (12 months for the batteries) from the date that it is handed over to the purchaser.

Excluded from the warranty are

- Parts subject to wear.
- Maintenance work necessary as a result of normal daily use.
- Defects caused by natural wear and tear, improper use, in particular non-observance of operating instructions, accidents, negligent damage, fire or water damage, acts of god and other causes beyond the control of **alber**.
- Device inspection when no defects are found.
- Devices whose serial number has been changed, disfigured or removed.
- Unauthorized modifications or use of parts not supplied or approved by **alber** may change the scalamobil/scalacombi and system structure and the center of gravity. This will void the warranty and may cause a safety hazard.
- Spare parts can only be ordered from an authorized supplier. In case of repair work, only original spare parts are to be used!
- Spare parts from other manufacturers can cause malfunctions.

- Before reimplementation, the scalamobil/scalacombi is to undergo a complete inspection according to the service manual and a completely disinfection.

For more details please see the General Standard Terms and Conditions of Ulrich Alber GmbH.

7.2

Liability

The Ulrich Alber GmbH can not guarantee for the safety and the full functional capability of the scalamobil, if

- The scalamobil/scalacombi is handled improperly
- The scalamobil/scalacombi is not maintained every two years by an authorised specialist dealer or by Ulrich Alber GmbH.
- The scalamobil/scalacombi is used contrary to the instructions in this operating manual.
- The scalamobil/scalacombi is operated with insufficiently charged batteries.
- Repairs or other work is carried out by other than authorised persons.
- Foreign parts are built on or connected to the scalamobil/scalacombi.
- Parts are removed from the scalamobil/scalacombi.

Therefore the Ulrich Alber GmbH disclaims any liability.

8 Disposal

The scalamobil and its optional accessories are products with a long working life. At the end of their useful life they may be returned to your **alber** representative who will ensure that they are properly disposed of in an environment-friendly manner.

Used batteries may also be returned to **alber** at the end of their useful life via your **alber** representative.

9 Intended use

The scalamobil or scalacombi has been designed exclusively for conveyance of persons with walking disability over steps; note in this regard that you should not convey a person with walking disability on escalators and moving walkways. Only convey a person with walking disability in a wheelchair that has been tested and approved by Alber for the scalamobil (as part of the CE conformity) on which the prescribed holders (or the scalasport) have been properly attached.

The scalacombi already contains an integrated seat unit. It's not allowed to change this unit in any way.

Do not attach any parts other than the accessories that have been approved by Alber for operation.

scalamobil/scalacombi should only be used under the following prerequisites:

- Compliance with the information, instructions, and recommendations contained in this operating manual.
- The device should only be handled by a person who has been instructed in its use.
- No changes have been made to the device by the user or by a third party.

- The person who will be conveyed must be capable of sitting independently; use of a pelvic restraint belt is recommended.
- When conveying, the arms of the person being conveyed should not project over the arm rests of the wheel chair, or of the scalacombi seat.

An instructed person is a person who has been instructed in the tasks assigned to that person and in the possible hazards associated with unintended use, and who has been given an introduction in the handling of the scalamobil or scalacombi.

The instruction is provided by the authorized dealer or by **alber**. Handling of the scalamobil, or scalacombi by non-instructed or non-qualified users is expressly prohibited.

Scalamobil or scalacombi should not be used for conveyance that conflicts with intended use. This particularly applies to all other types of load transports such as transport of daily use articles over steps.

Likewise, combining scalamobil or scalacombi with wheelchairs that have not been approved by **alber** is also prohibited.

In the event of use in conflict with the instructions and recommendations provided in this operating manual, or if the technical performance limits defined in this operating manual are exceeded, then such use will be considered as abuse of the device in **alber's** view.

alber rejects all liability for damage resulting from abuse of the device.

While being conveyed on stairs the person sitting in the wheelchair must remain still. Please note that when transporting persons with special disease patterns, uncoordinated movements can occur that can cause a shift in the center of gravity of the scalamobil/scalacombi during conveyance.

The operating person should be capable at all times of reacting to such suddenly occurring movements of the person being conveyed.

Thus it is the obligation of the person who has been instructed in the handling of the scalamobil/scalacombi to decide whether conveyance of a person with special disease patterns is possible without danger.

10 Index

A		
Attaching the handlebars	25	
B		
Batteries	6, 12, 36, 37	
Brakes	16, 17, 18, 19, 20, 22, 29, 30, 33, 34, 38	
C		
Care	36, 38, 41	
Charging the battery	7, 8, 11, 36, 37	
Cleaning	38	
Connecting socket for the charger	11	
Control components	7, 8, 13	
D		
Delivery package	4, 20	
Display element	7, 8	
Disposal	42	
Downstairs	7, 8, 29, 34	
Driving switch	10	
E		
Electronic unit	13	
F		
Fastening screws for the height adjustment	17, 21	
Functional problems	13, 38	
G		
Gripping loop	9, 21, 24, 25, 27	
H		
Height adjustment	17, 21, 25	
Horizontal axle	9	
I		
Initial operation	15, 17	
L		
Liability	41	
Lock for the horizontal axle	9	
Locking pins for the handlebars	19, 20, 22, 23	
Lower bolts	4, 19, 20	
M		
Maintenance	36, 37	
Malfunction	39	
Mounting to the wheelchair	19	

O
 On/Off button 7, 26, 27, 29, 33, 34
 Operation 26, 27, 29, 31, 32, 35
 Optional Accessories 4

P
 Performance check 17, 27, 29
 Plug 24, 25

R
 Removal of the handlebars 24
 Removal from the wheelchair 22
 Rotation regulator 13, 19, 22, 35

S
 Safety instructions 16
 Single step switch 10, 13, 17, 27, 29, 31
 Socket for the charger 11
 Spiral stairs 31, 32, 34
 Socket on top of the housing 25

T
 Technical data 6
 Transport 12, 24, 25, 36

U
 Up/Down 7, 8, 27, 29
 Upper bolts 4, 19, 20
 Upstairs 7, 8, 27, 33
 User's manual 2, 4, 41

W
 Warranty 41

35.0001.4.99.05

Ulrich Alber GmbH
Vor dem Weißen Stein 21
72461 Albstadt-Tailfingen

Telefon (07432) 2006-0
Telefax (07432) 2006-299
www.ulrich-alber.de

